

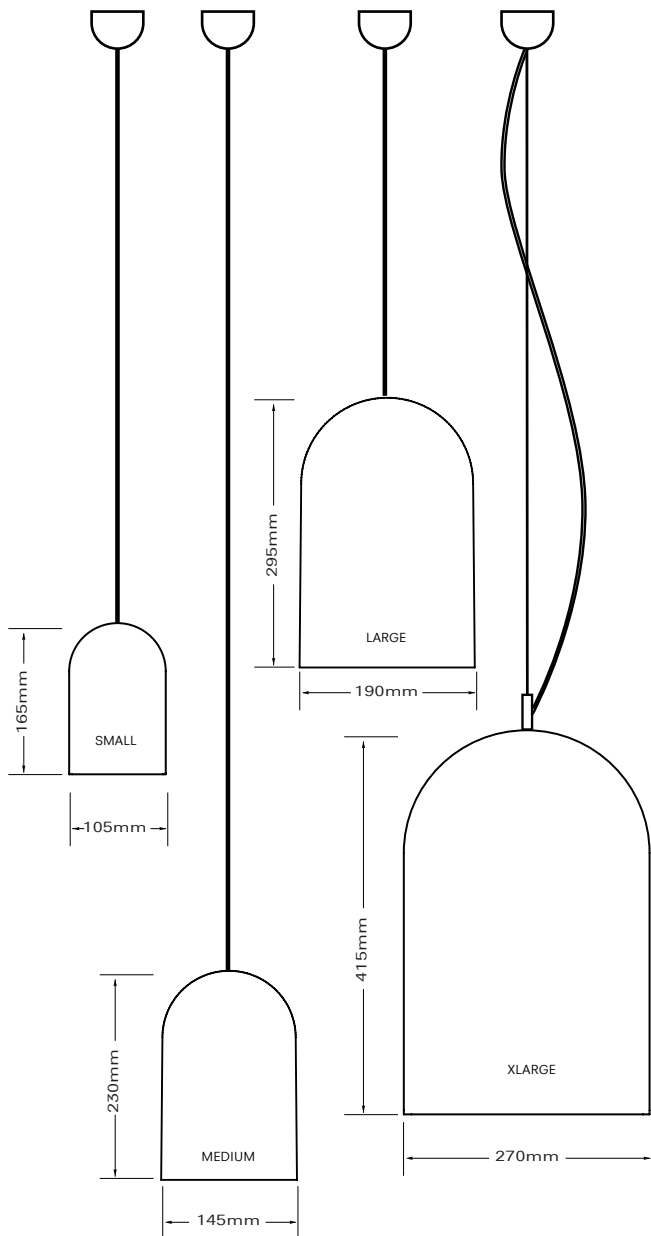


Cloche Pendant

Cloche

Pendant

Specifications



* Colourway available only for Small & Medium sizes

Porcelain Finishes



Ivory Gloss



Ivory Naked



Gloss Black



Gloss Royal Blue



Dip Black



Dip Royal



Feather Black



Feather Royal



Luxe Gold



Luxe Silver



Luxe Blue Steel



Translucent Naked



Translucent Gloss



Antique Black *



Antique Sepia *

Contact

23-25 Derby Street
Collingwood
3066 Victoria Australia
T. +61 3 9044 2728
www.porcelainbear.com



Porcelain Bear

Cloche

Pendant

Information

Size	Small	Medium	Large	XLarge
appx weight:	700gm	1.4kg	2.2kgg	4kg
lamp holder:	E14	E26/ E27	E26/ E27	E26/ E27
Max Watt:	35W	35W	35W	35W
power:	110v/ 240v	110v/ 240v	110v/ 240v	110v/ 240v
cord:	ø6 mm	ø6 mm	ø6 mm	ø6 mm
cord length:	2000mm	2000mm	2000mm	2000mm
ceiling plate:	Std Rose	Std Rose	Std Rose	Std Rose

Flex Options



Black



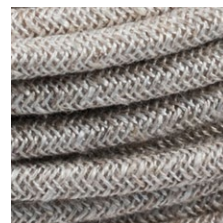
Champagne



Ivory



Grey



Linen

Contact

23-25 Derby Street
Collingwood
3066 Victoria Australia
T. +61 3 9044 2728
www.porcelainbear.com



Porcelain Bear

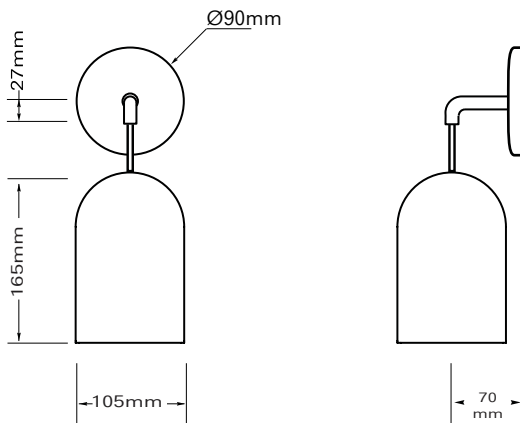


Cloche wall

Cloche

Wall

Specifications



Porcelain Finishes



Ivory Gloss



Ivory Naked



Gloss Black



Gloss Royal Blue



Dip Black



Dip Royal



Feather Black



Feather Royal



Luxe Gold



Luxe Silver



Luxe Blue Steel



Translucent Naked



Translucent Gloss



Antique Black *



Antique Sepia *

Contact

23-25 Derby Street
Collingwood
3066 Victoria Australia
T. +61 3 9044 2728
www.porcelainbear.com



Porcelain Bear

Cloche

Wall

Information

Size	Small
appx weight:	1.2KG
lamp holder:	E14
Max Watt:	35W
power:	110v/ 240v
cord:	ø6 mm
cord length:	20mm
wall plate:	custome plate included

Flex Options



Black



Champagne



Ivory



Grey



Linen

Metal Finishes



Brushed Brass



Antique Brass

Contact

23-25 Derby Street
Collingwood
3066 Victoria Australia
T. +61 3 9044 2728
www.porcelainbear.com



Porcelain Bear

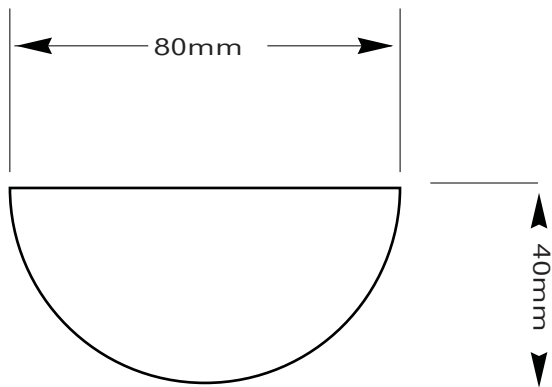


Cloche Rose

Cloche

Rose

Specifications



Porcelain Finishes



Gloss Ivory



Naked Ivory



Gloss Black



Gloss Royal Blue



Translucent Naked



Translucent Gloss



Antique Sepia



Antique Black



Basalt



Luxe Gold



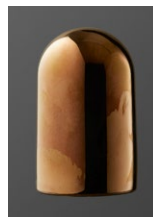
Luxe Silver



Luxe Blue Steel



Ex Luxe 24K Gold



Ex Luxe Copper



Ex Luxe Platinum

Information

appx weight: 200 gm

Usage: Designed to be used in 240V applications 80mm40mm

Contact

23-25 Derby Street
Collingwood
3066 Victoria Australia
T. +61 3 9044 2728
www.porcelainbear.com



Porcelain Bear